

PERGOLA

• ON A PALLET •

PRODUCT PRESENTATION



A PRODUCT BY

EVA-LAST[®]
INSPIRED BY NATURE, DESIGNED FOR LIFE.

www.eva-last.com

PERGOLA

• ON A PALLET •

The Pergola on a Pallet range has been simplified into four modular SKU's. The focus is on a modern aesthetic only, using minimal structure for an open look, with a standardised height of 2.55 m. Sizes are built around a total pack length of 2.9 m, and currently only available in the Savanna colour. The four SKU's provide scalable, cost-effective solutions while keeping the part count and SKU's complexity low.



LIFESPAN

COMPOSITE ARCHITECTURAL BEAMS

The Pergola on a Pallet offering is made using Lifespan architectural beams.

TRI-EXTRUDED ALUMINIUM BAMBOO COMPOSITE

- 1 Aluminium core
- 2 Engineered flexible adhesive
- 3 Outer protective composite coating (Eva-tech surface technology)



SURFACE TECHNOLOGY:

Eva-tech

Available in



REINFORCED COMPOSITE

Lifespan architectural beams offer design versatility and increased span thanks to their specialised aluminium core that makes for easier installation at height. The outer coating of low-maintenance bamboo composite resists biodegradation, corrosion, insects, and harsh weather, and offers built-in UV protection for beautiful durability. Enjoy the look of timber beams without the upkeep.

TAKE HOME THE BENEFITS



DESIGN VERSATILITY

Architectural beams offer a diverse range of aesthetic applications



LIGHTWEIGHT DESIGN

Specialised aluminium core for easier installation at height



LOW-MAINTENANCE

The look of timber beams without the upkeep



INCREASED SPAN

Reinforced composite beam with built-in aluminium core



DECAY RESISTANT

Resists biodegradation, corrosion, insects, & harsh weather



FADE RESISTANT

Built-in UV protection for beautiful durability

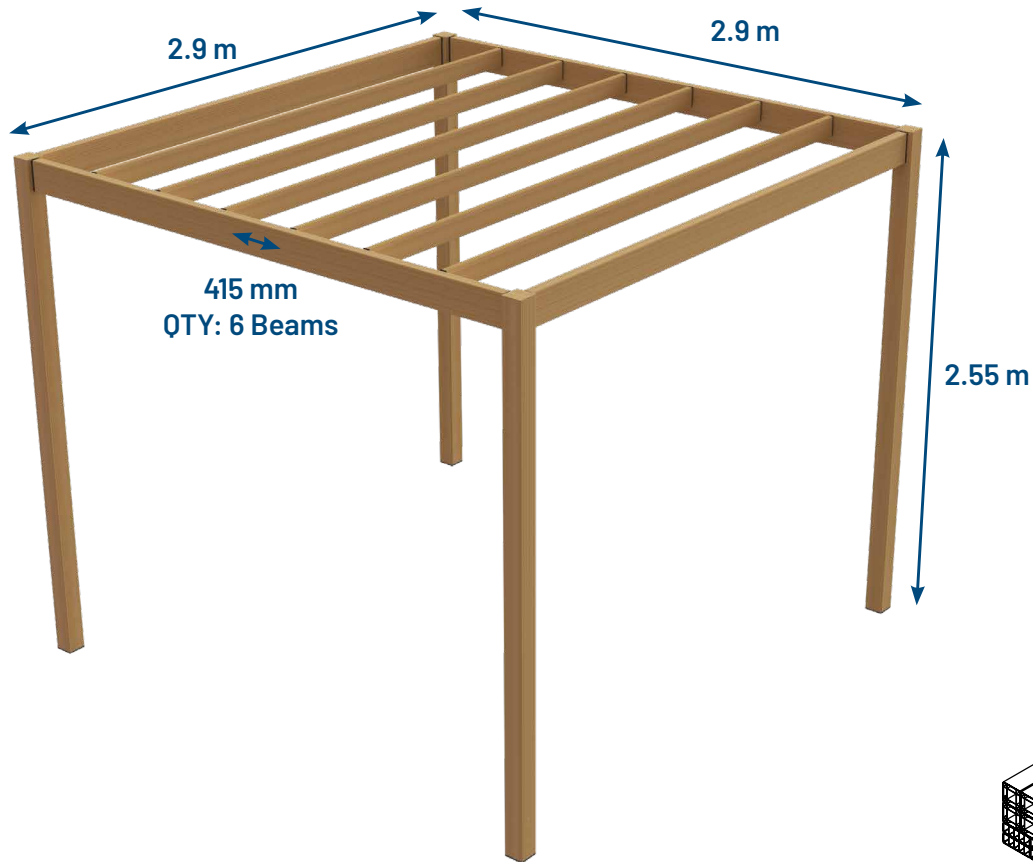


MODERN PERGOLA

2.9 x 2.9 x 2.55 m

MODERN PERGOLA – 2.9 x 2.9 x 2.55 m

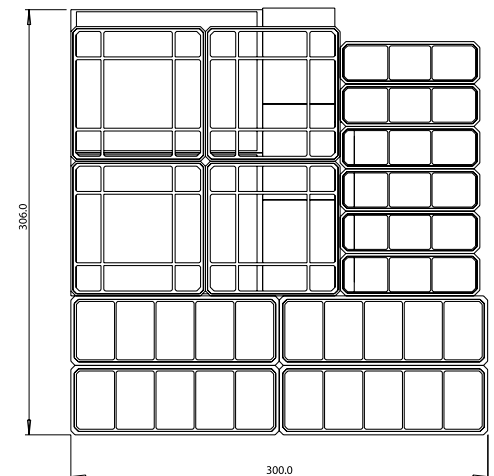
This SKU serves as the core unit in the range, offering a balanced footprint suited to most outdoor spaces. It is fully self-contained, easy to install with concealed connectors, and optimised for weight and packaging efficiency.



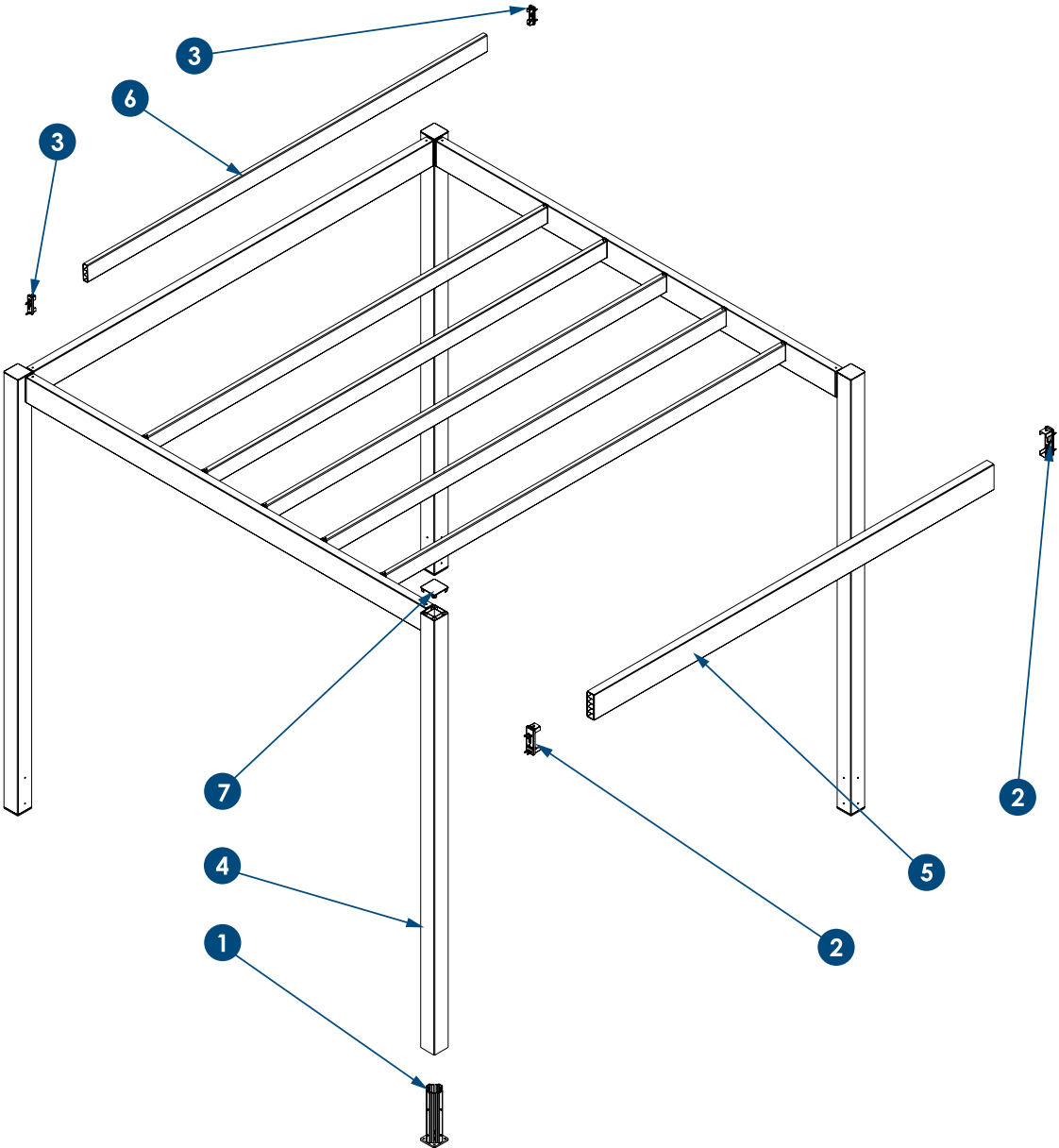
Component	QTY	Unit Weight [kg]	Notes
Lifespan Concealed Post Mount - Black - 97 x 97 mm	4	1.7	-
Lifespan Concealed Clip-In Bracket Kit - Black - 150 x 50 mm	4	0.3	Packs of 2
Lifespan Concealed Clip-In Bracket Kit - Black - 100 x 30 mm	6	0.2	Packs of 2
Lifespan Beam - 150 x 50 mm	4	8.9	2 700 mm
Lifespan Beam - 100 x 30 mm	6	3.5	2 700 mm
Lifespan Post - 97 x 97 mm	4	11.8	2 550 mm
Lifespan Endcap - 97 x 97 mm	2	0.03	Packs of 2
Total		115 kg	



PACK SIZE:
306 x 300 x 2 850 mm



EXPLODED VIEW



Item No.	Part Number	QTY
1	Lifespan Concealed Post Mount Assembly - 97 x 97 mm	4
2	Lifespan Concealed Clip-in Bracket Assembly - 150 x 50 mm	8
3	Lifespan Concealed Clip-in Bracket Assembly - 100 x 30 mm	12
4	STLS06 - Lifespan - Architectural posts - 96.0 x 96.0	4
5	STLS02 - Lifespan - Architectural beams - 150.0 x 50.0	4
6	STLS01X - Lifespan - Architectural beams - 100.5 x 30.5	6
7	Lifespan End Cap - C3	4

*Please refer to the installation guide and technical documents before installation.

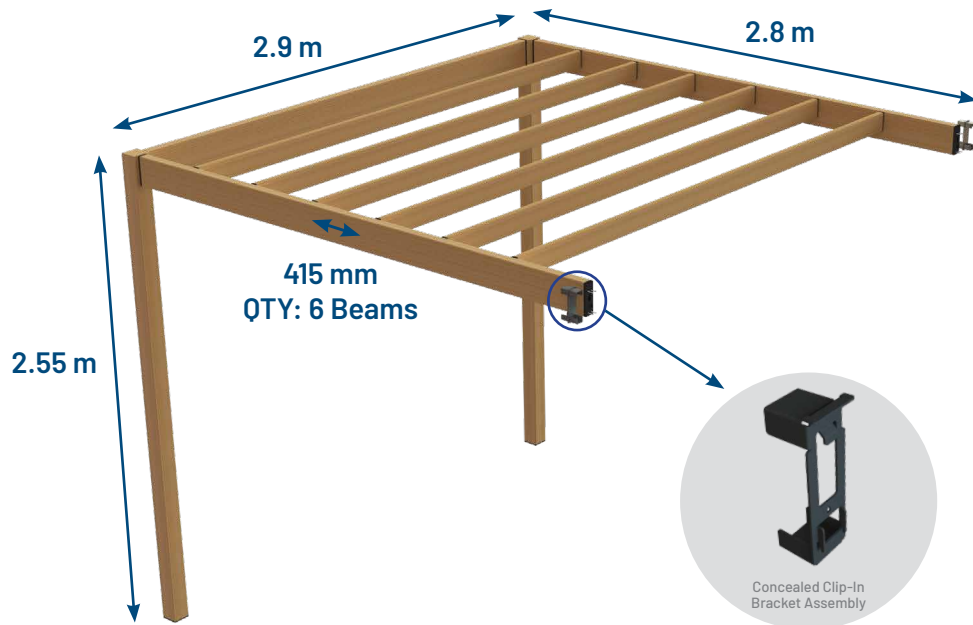


MODERN PERGOLA ADD-ON

2.9 x 2.8 x 2.55 m

MODERN PERGOLA ADD-ON – 2.9 x 2.8 x 2.55 m

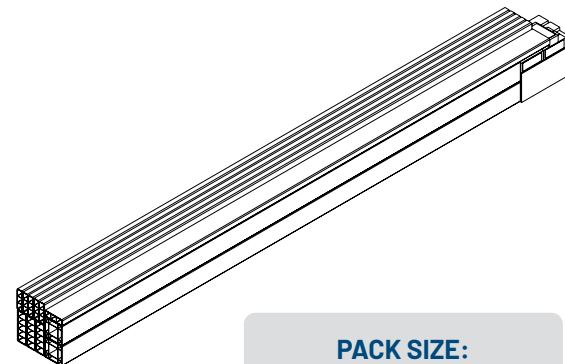
This modern pergola add-on is designed to expand the full range offering, through various applications. Its flexibility enables tailored layouts without introducing new components.



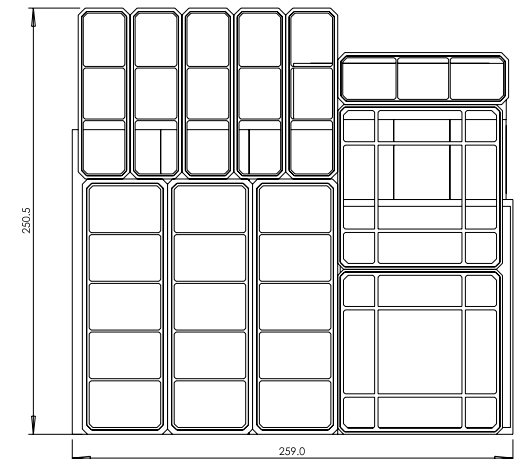
Component	QTY	Unit Weight [kg]	Notes
Lifespan Concealed Post Mount - Black - 97 x 97 mm	2	1.7	-
Lifespan Concealed Clip-In Bracket Kit - Black - 150 x 50 mm	3	0.3	Packs of 2
Lifespan Concealed Clip-In Bracket Kit - Black - 100 x 30 mm	7	0.2	Packs of 2
Lifespan Concealed Beam Splice - Straight - 150 x 50 mm	2	0.5	Packs of 1
Lifespan Beam - 150 x 50 mm	2	8.9	2 700 mm
Lifespan Beam - 100 x 30 mm	6	3.5	2 700 mm
Lifespan Post - 97 x 97 mm	2	11.8	2 550 mm
Lifespan Endcap - 97 x 97 mm	1	0.03	Packs of 2
Total		80 kg	

APPLICATION A

The Modern Pergola Add-On can be used as a stand alone item, when connected to an existing wall or structure, using the Concealed Clip-In bracket supplied.



PACK SIZE:
259 x 255 x 2 850 mm



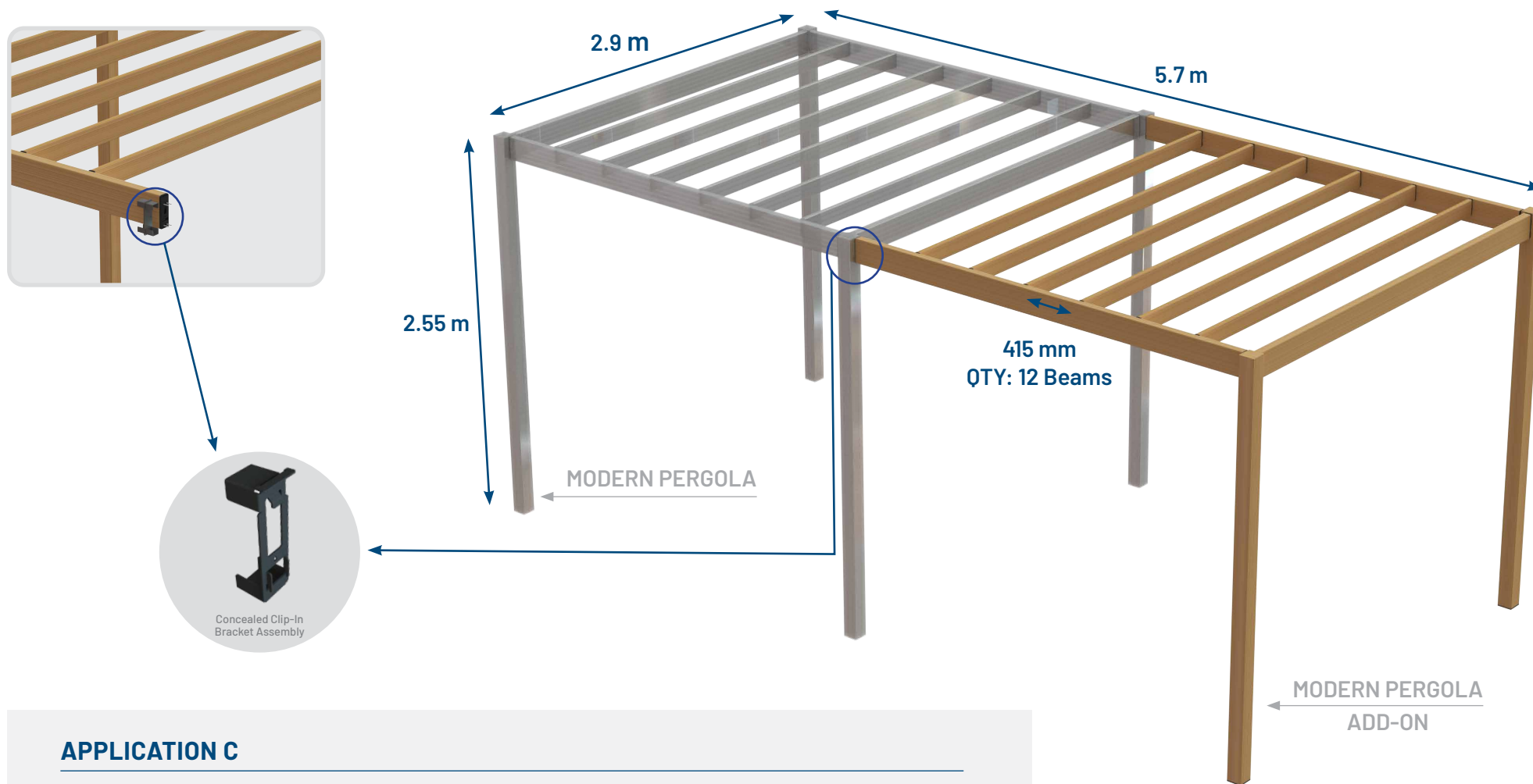
MODERN PERGOLA ADD-ON – 2.9 x 2.8 x 2.55 m



APPLICATION B

The Modern Pergola Add-On unit can be connected to another Modern Pergola Add-On unit using the Concealed Beam Straight Splice Assembly. By connecting two Modern Pergola Add-Ons to each other, you are able to create one larger pergola, with no central support.

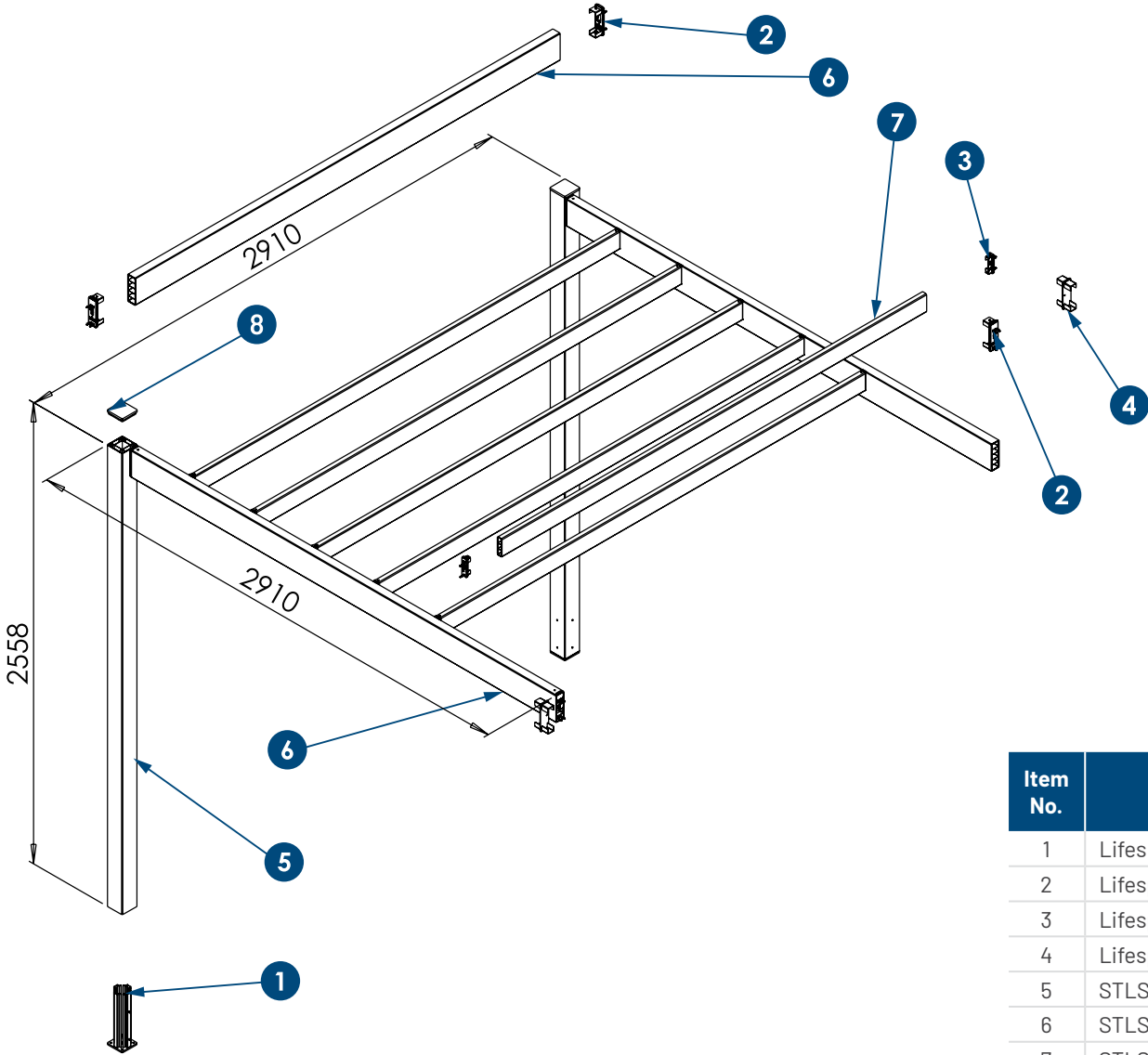
MODERN PERGOLA ADD-ON – 2.9 x 2.8 x 2.55 m



APPLICATION C

The Modern Pergola Add-On unit can be connected to the Modern Pergola unit using the Clip-In Bracket assembly. This extends your modern pergola into a larger pergola, with central support posts.

EXPLODED VIEW



Item No.	Part Number	Length	QTY
1	Lifespan Concealed Post Mount Assembly - 97 x 97 mm	N/A	2
2	Lifespan Concealed Clip-in Bracket Assembly - 150 x 50 mm	N/A	6
3	Lifespan Concealed Clip-in Bracket Assembly - 100 x 30 mm	N/A	14
4	Lifespan Concealed Beam Splice Assembly - Straight - 150 x 50 mm	N/A	2
5	STLS06 - Lifespan - Architectural Posts - 96.0 x 96.0	2540	2
6	STLS02 - Lifespan - Architectural Beams - 150.0 x 50.0	2700	3
7	STLS01X - Lifespan - Architectural Beams - 100.5 x 30.5	2700	6
8	ST12LS06 Endcap - 96.0 x 96.0	N/A	2

*Please refer to the installation guide and technical documents before installation.



PERGOLA SCREEN

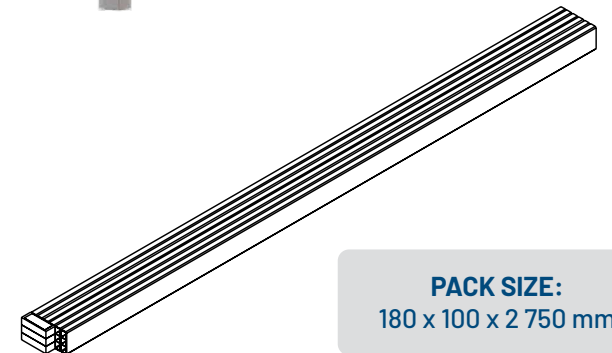
PERGOLA SCREEN

The screen module attaches to any 3 m side of the pergola, adding shade and partial privacy. It can also incorporate additional beams overhead to increase roof cover, giving flexibility to enhance both enclosure and shading as required.



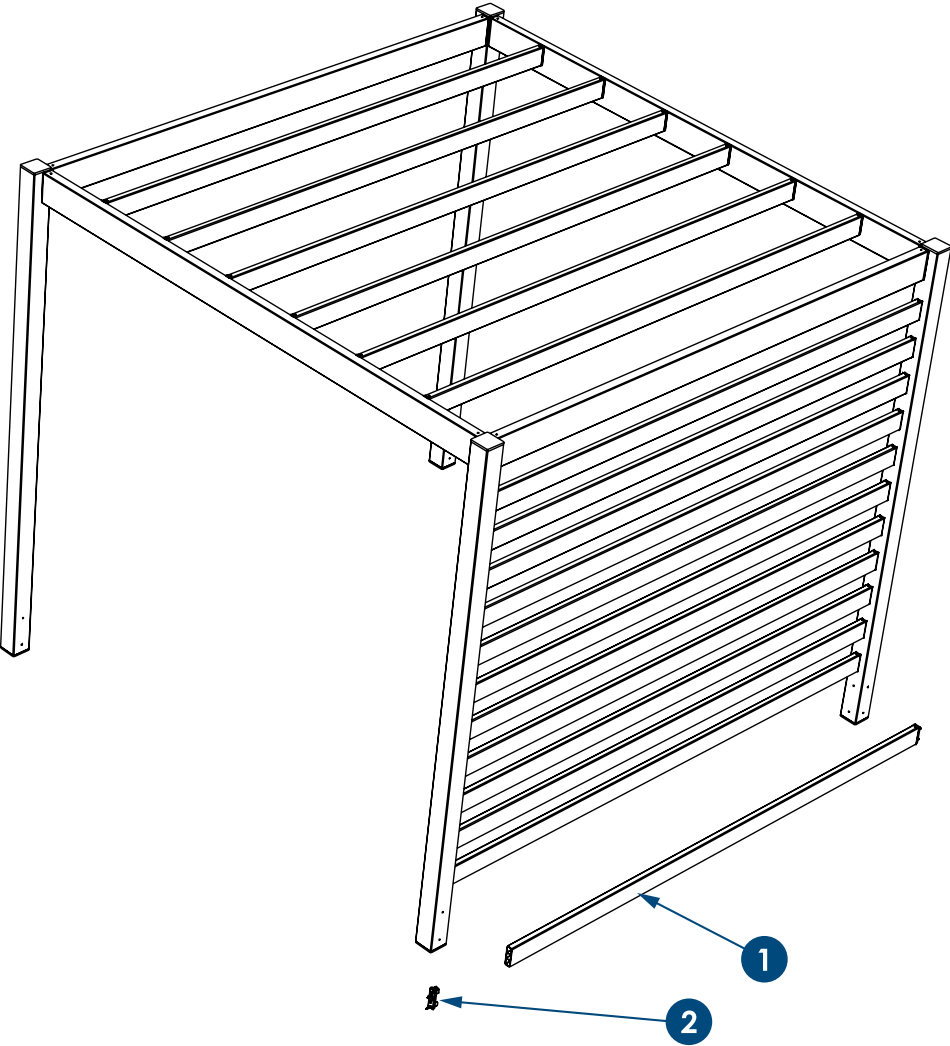
Component	QTY	Unit Weight [kg]	Notes
Lifespan Concealed Clip-In Bracket Kit - Black - 100 x 30 mm	3	0.2	Packs of 2
Lifespan Beam - 100 x 30 mm	6	3.6	2 700 mm
Total		23 kg	

*Note: Comes in packs of 6, image shows shows a screen with 12 beams (2 packs)



PACK SIZE:
180 x 100 x 2 750 mm

EXPLODED VIEW



Item No.	Part Number	Length	QTY
1	STLS01X - Lifespan - Architectural beams - 100.5 x 30.5	2700	6
2	Lifespan Concealed Clip-in Bracket Assembly - 100 x 30 mm	N/A	12

*Please refer to the installation guide and technical documents before installation.

*Note: Comes in packs of 6, diagram shows shows a screen with 12 beams (2 packs)

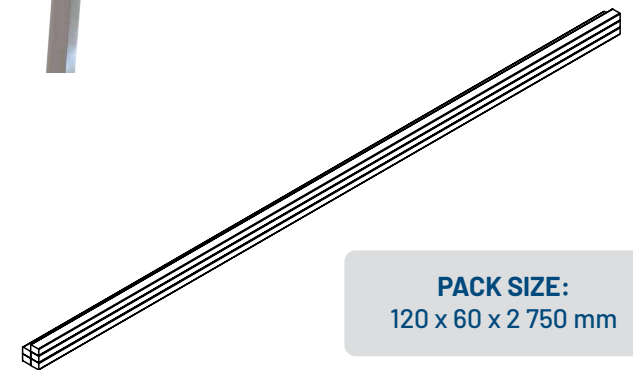


PERGOLA BATTEN KIT

PERGOLA BATTEN KIT

The batten kit attaches on top of the joists, creating a lightweight, cost-effective screen. Using Eva-tech battens, it delivers shade and partial privacy at a lower cost than standard Lifespan beams, with the option to extend coverage by adding battens overhead.

Battens would need to be fastened more regularly. If the battens are used to form a screen along a side then intermediary supports are needed depending on expected wind load.



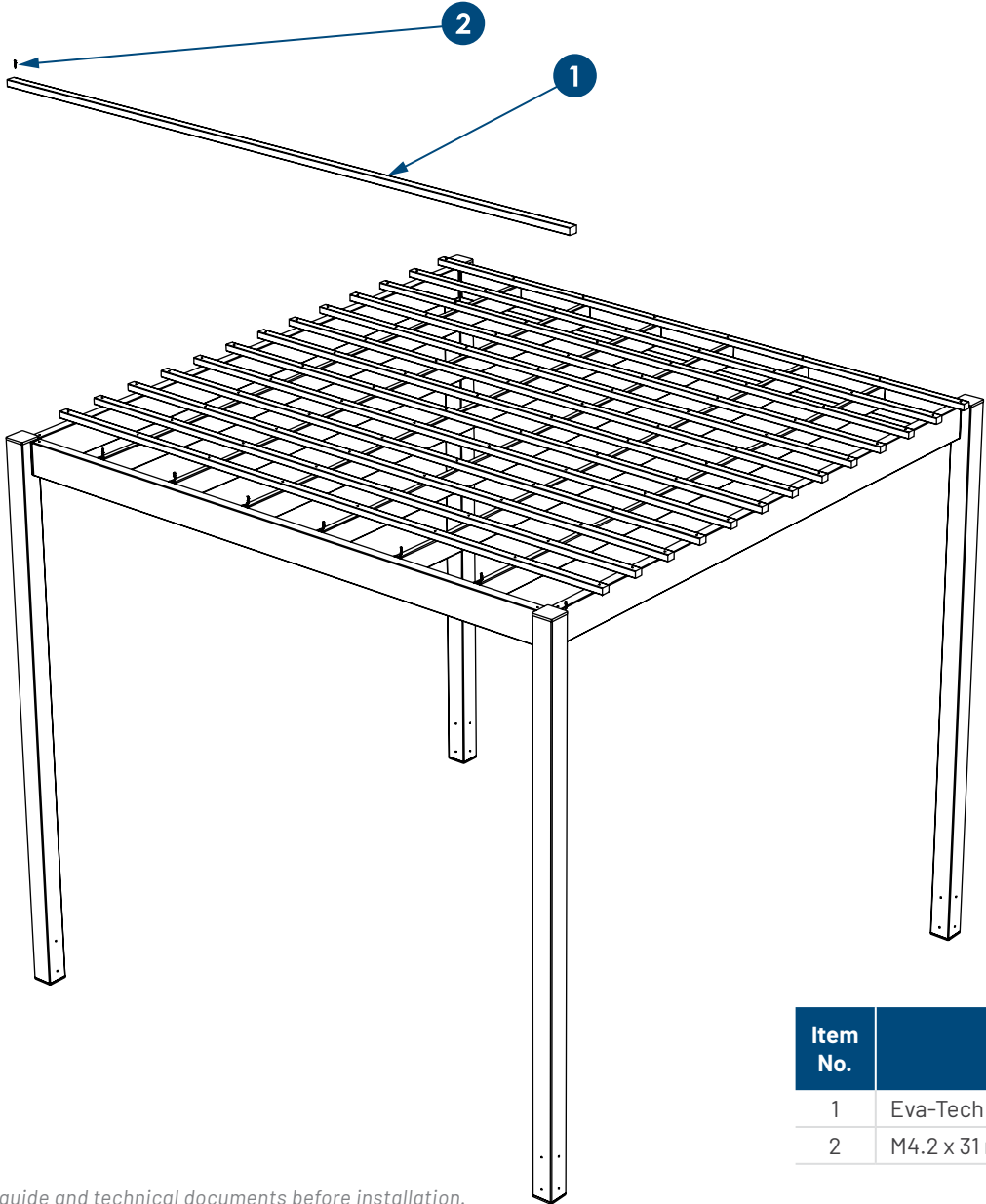
PACK SIZE:
120 x 60 x 2 750 mm

Component	QTY	Unit Weight [kg]	Notes
Batten Screw and Plug Set*	36	0.3	
Eva Tech Batten - 40 x 30 mm	6	4.5	2 700 mm
Total		27 kg	

* Screw to be specified with matching plug - contacted Sentai and Starbourne for possible solutions.

* **Note:** Comes in packs of 6, image shows 12 battens (2 packs)

EXPLODED VIEW



Item No.	Part Number	Length	QTY
1	Eva-Tech Batten 40 x 30	2700	6
2	M4.2 x 31 mm- Carbon clip screw for steel application	N/A	36

*Please refer to the installation guide and technical documents before installation.

*Note: Comes in packs of 6, drawing shows 12 battens (2 packs)



THANK YOU

If you have any questions regarding Pergola on a Pallet feel free to contact us.

For more information:

E-mail: globalsales@eva-last.com



Holistically sustainable manufacturing & use of raw materials

EVA-LAST[®]
INSPIRED BY NATURE, DESIGNED FOR LIFE.